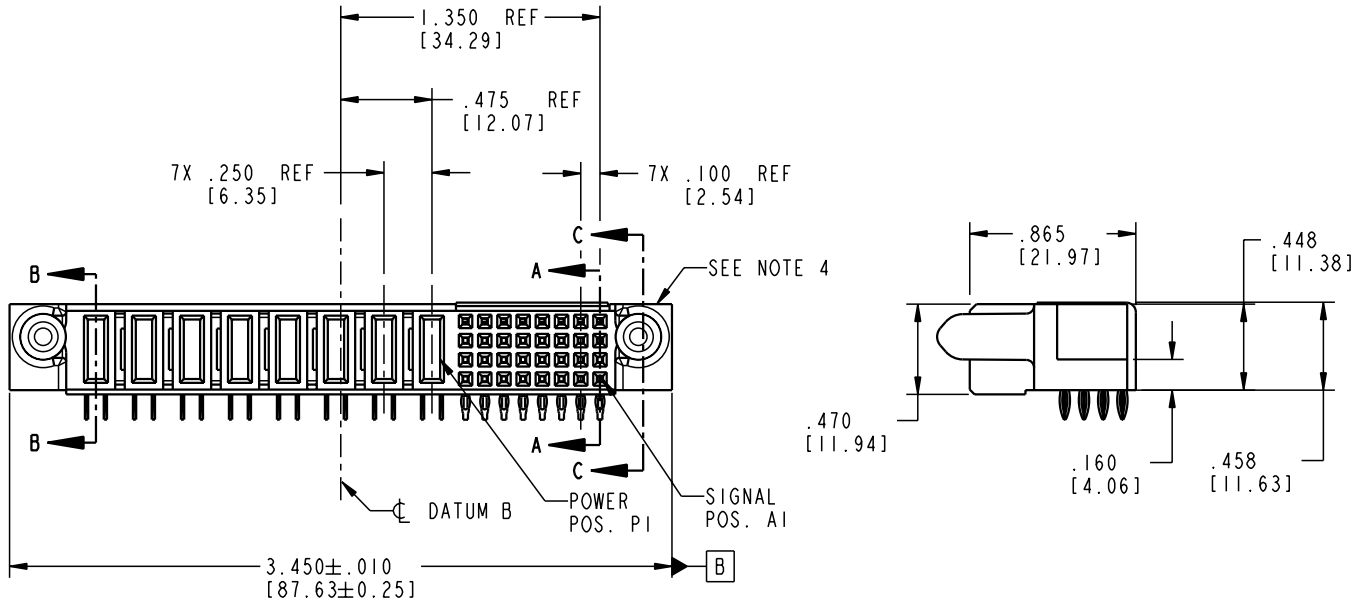


Tous droits strictement réservés. Reproduction ou communication o des liers interdite sous quelque forme que ce soit sans autorisation écrite du propriétaire. Propriete de c FCI. Droits de reproduction FCI.

All rights strictly reserved. Reproduction or issue to third parties in any form whenever is not permitted without written authority from the proprietor. Property of FCI. Copyright FCI.

PRODUCT NO.	ROWS	POWER									SIGNAL								
		E2	P8	P7	P6	P5	P4	P3	P2	P1	8	7	6	5	4	3	2	1	E1
51761-10003208CB	D C B A		PE	PE	PE	PE	PE	PE	PE	PE	S	S	S	S	S	S	S	S	
			R	R	R	R	R	R	R	R	P	P	P	P	P	P	P	P	
			N	N	N	N	N	N	N	N	N	N	N	N	N	N	N	N	



CODE	DIM "M" MATING LENGTH	CONTACT TYPE
N	N/A [N/A]	SIGNAL
P	N/A [N/A]	SIGNAL
R	N/A [N/A]	SIGNAL
S	N/A [N/A]	SIGNAL
PE	.042 [1.07]	POWER

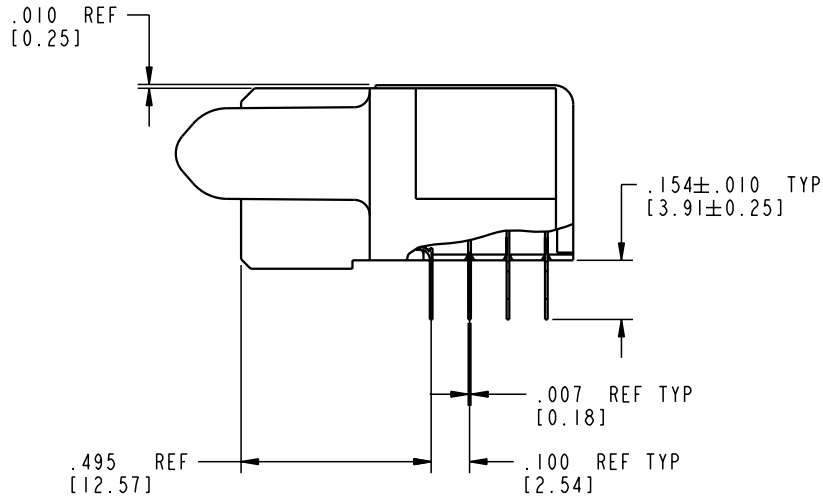
mat'l code SEE NOTE 2				tolerances unless otherwise specified				CUSTOMER		FCI www.fciconnect.com	
ltr	ecn no.	dr	date	linear	.XX±.01/0.X±0.3		COPY		title		
A	V04-0310	TAB	03/26/04	angles	.XXX±.005/0.XX±0.13		projection		32S + 8P		
					.XXX±.0020/0.XXX±0.051		INCH/MM		R/A PRESS-FIT RECEPTACLE		
				dr	T. BRUNGARD	03/26/04	scale		product family		
				engr	M. GRAY	03/26/04	1:1		PwrBlade		
				chr	M. GRAY	03/26/04			code		
				appd	M. GRAY	03/26/04			213		
sheet index		revision sheet		A	A	A	A	size		sheet	
1		2		3	4			A		1 of 4	
								51761-10003208CB			

Pro/E 3 cage code 22526 4

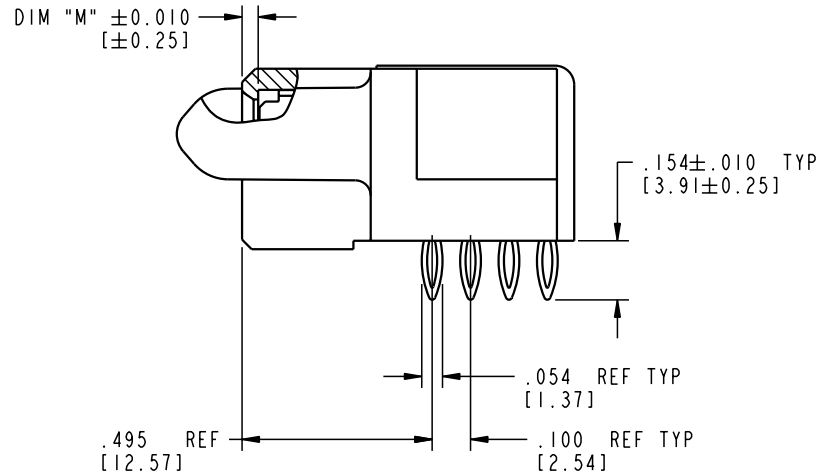
Tous droits strictement réservés. Reproduction ou communication o des tiers interdite sous quelque forme que ce soit sans autorisation écrite du propriétaire. Propriété de c FCI. Droits de reproduction FCI.

All rights strictly reserved. Reproduction or issue to third parties in any form whatever is not permitted without written authority from the proprietor. Property of FCI. Copyright FCI.

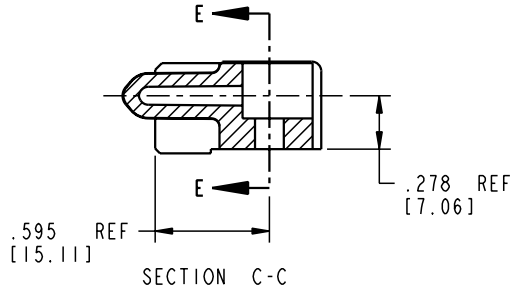
PRODUCT NUMBER
51761-10003208CB



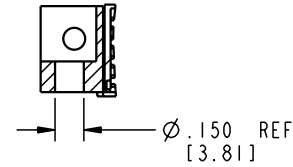
BROKEN-OUT SECTION A-A
SCALE 2:1



BROKEN-OUT SECTION B-B
SCALE 2:1



SECTION C-C



PARTIAL SECTION E-E

mat'l code SEE NOTE 2				tolerances unless otherwise specified		CUSTOMER		 www.fciconnect.com	
ltr	ecn no.	dr	date	linear	.XX±.01/0.X±0.3	COPY		title	
A					.XXX±.005/0.XX±0.13	projection		32S + 8P	
				angles	.XXX±.0020/0.XXX±0.051			R/A PRESS-FIT RECEPTACLE	
				dr	T. BRUNGARD 03/26/04	INCH/MM		product family PwrBlade code	
				enr	M. GRAY 03/26/04	scale		size	
				chr	M. GRAY 03/26/04	1:1		A 51761-10003208CB	
				appd	M. GRAY 03/26/04			sheet	
sheet index		revision sheet						2 of 4	

cage code 22526

Pro/E

PDM: Rev:A

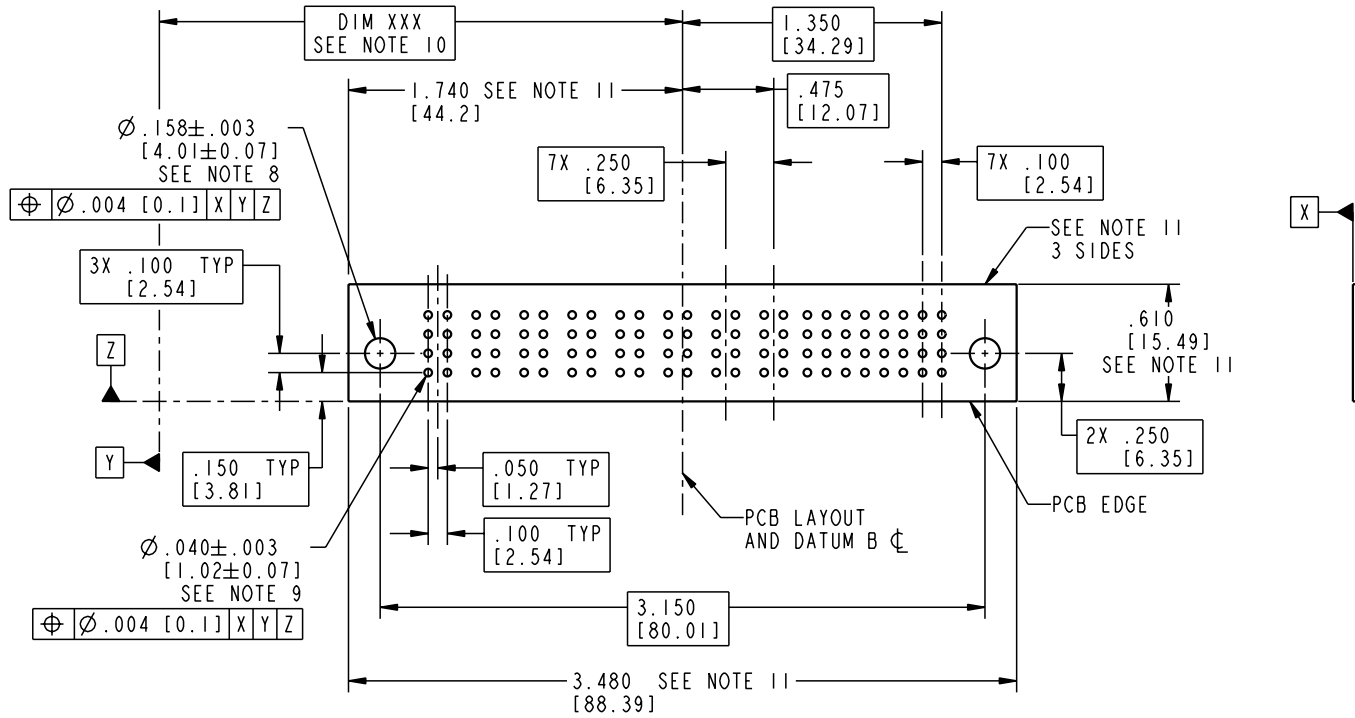
STATUS: Released

Printed: Aug 14, 2007

Tous droits strictement réservés. Reproduction ou communication o des tiers interdite sous quelque forme que ce soit sans autorisation écrite du propriétaire. Propriété de c FCI. Droits de reproduction FCI.

All rights strictly reserved. Reproduction or issue to third parties in any form whatever is not permitted without written authority from the proprietor. Property of FCI. Copyright FCI.

PRODUCT NUMBER
51761-10003208CB



mat'l code SEE NOTE 2				tolerances unless otherwise specified		CUSTOMER		 www.fciconnect.com	
ltr	ecn no.	dr	date	linear	.XX±.01/0.XX±0.3	COPY		title	
A				projection	.XXX±.005/0.XX±0.13			32S + 8P	
				angles	.XXX±.0020/0.XX±0.051	INCH/MM		R/A PRESS-FIT RECEPTACLE	
				dr	T. BRUNGARD 03/26/04	scale		product family PwrBlade code	
				engr	M. GRAY 03/26/04	1:1		size	
				chr	M. GRAY 03/26/04			dwg no	
				appd	M. GRAY 03/26/04			A 51761-10003208CB	
sheet index		revision sheet						sheet 3 of 4	

Pro/E

cage code 22526

PDM: Rev:A

STATUS: Released

Printed: Aug 14, 2007

Tous droits strictement réservés. Reproduction ou communication o des tiers interdite sous quelque forme que ce soit sans autorisation écrite du propriétaire. Propriete de c FCI. Droits de reproduction FCI.

A
FCI

All rights strictly reserved. Reproduction or issue to third parties in any form whatever is not permitted without written authority from the proprietor. Property of FCI. Copyright FCI.

B

1 | 2

3 |

4

PRODUCT NUMBER

51761-10003208CB

NOTES:

1. DIMENSIONS AND TOLERANCES ARE IN ACCORDANCE WITH ASME Y14.5M, 1994 UNLESS OTHERWISE SPECIFIED.

CONNECTOR NOTES:

- 2. HOUSING MATERIAL: UL 94 V-0 GLASS FILLED
HIGH-TEMP THERMOPLASTIC
POWER CONTACT MATERIAL: COPPER ALLOY
SIGNAL PIN MATERIAL: COPPER ALLOY
- 3. PLATING:
SIGNAL PINS: 30u"/0.76um Au OVER 50u"/1.27um Ni
POWER CONTACTS: 50u"/1.27um Ni UNDER ALL
WITH 30u"/0.76um Au ON CONTACT AREA
AND SnPb ON PCB INTERFACE
- 4. MANUFACTURER'S NAME, P/N, AND DATE CODE TO APPEAR ON THIS SURFACE.
- 5. PRODUCT SPECIFICATION GS-12-149.
APPLICATION SPECIFICATION BUS-20-067.


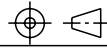
6. PACKAGED IN TRAYS.

PCB NOTES:

- 7. ALL HOLE DIAMETERS ARE FINISHED HOLE SIZE.
- 8. MOUNTING HOLES, WHERE APPLICABLE, ARE UNPLATED.
- 9. $\varnothing .0453 \pm .0010$ [1.151 \pm 0.025] DRILLED HOLES PLATED WITH .0003 [0.008] MIN SnPb OVER .001 [0.03] TO .003 [0.08] Cu PLATING TO ACHIEVE $\varnothing .040 \pm .003$ [1.02 \pm .07] HOLE.
- 10. "DIM XXX" TO BE DETERMINED BY THE CUSTOMER.

11. CONNECTOR KEEP-OUT ZONE.

12. USE FCI CAM TOOL 430140-016 TO APPLY CONNECTOR TO PCB.

mat'l code		SEE NOTE 2		tolerances unless otherwise specified		CUSTOMER		 FCI www.fciconnect.com	
ltr	ecn no.	dr	date	linear	.XX±.01/0.X±0.3	COPY			
A				linear	.XXX±.005/0.XX±0.13	projection		title	
				angles	.XXX±.0020/0.XXX±0.051 0°+2°			32S + 8P R/A PRESS-FIT RECEPTACLE	
		dr	T. BRUNGARD	03/26/04	INCH/MM		product family		code
		enr	M. GRAY	03/26/04	scale		PwrBlade		213
		chr	M. GRAY	03/26/04	1:1		size		sheet
		appd	M. GRAY	03/26/04			A		4 of 4
sheet index		revision sheet							

A

B

1 | 2

Pro/E

3 |

cage code **22526**

4

PDM: Rev:A

STATUS: **Released**

Printed: Aug 14, 2007